

#### TECHNICAL CHARACTERISTICS OF THE CERAMIC DISCS:

Material:	<b>AL<sub>2</sub>O<sub>3</sub></b>
Surface roughness Ra:	<b>0.2 μm</b>
Contact surface area:	<b>50-80%</b>

#### TECHNICAL CHARACTERISTICS OF THE CARTRIDGE:

Opening angle:	<b>25°</b>
Max mixing angle:	<b>90°</b>
Max temperature:	<b>90°C/194°F</b>
Recommended tightening torque:	

**12-13 Nm / 106-115 lbf\*in**

#### Pressure test:

Pneumatic:	<b>6 bar / 87 psi</b>
Hydraulic:	<b>35 bar / 500 psi</b>

#### Flow rate:

(3 bar / 45 psi, test faucet, EN 817)

**20.1 l/min / 5.3 gpm with resistance „C”**

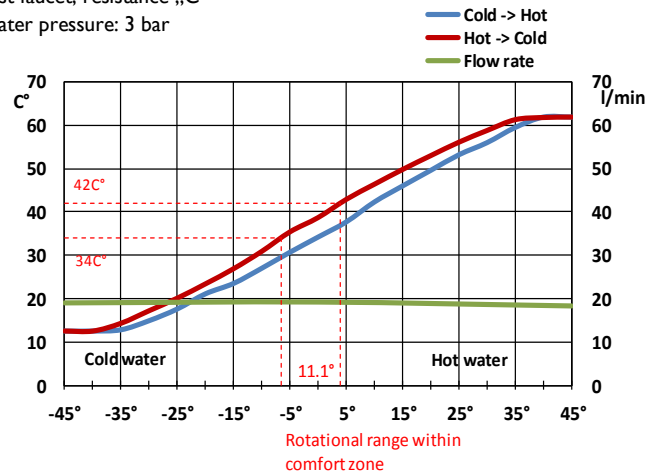
**26.0 l/min / 6.8 gpm without resistance**

#### Endurance test:

EN 817	70 000 cycles
ASME A 112.18.1M	500 000 cycles

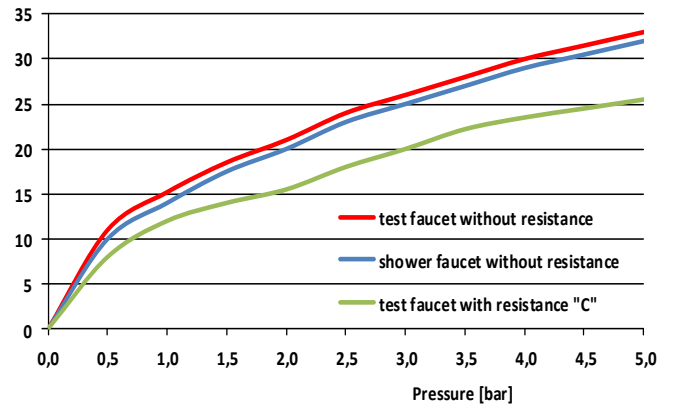
#### FLOW RATE & HYSTERESIS CURVES

Test faucet, resistance „C”  
Water pressure: 3 bar



#### FLOW RATE CURVES

Flow rate [l/min]

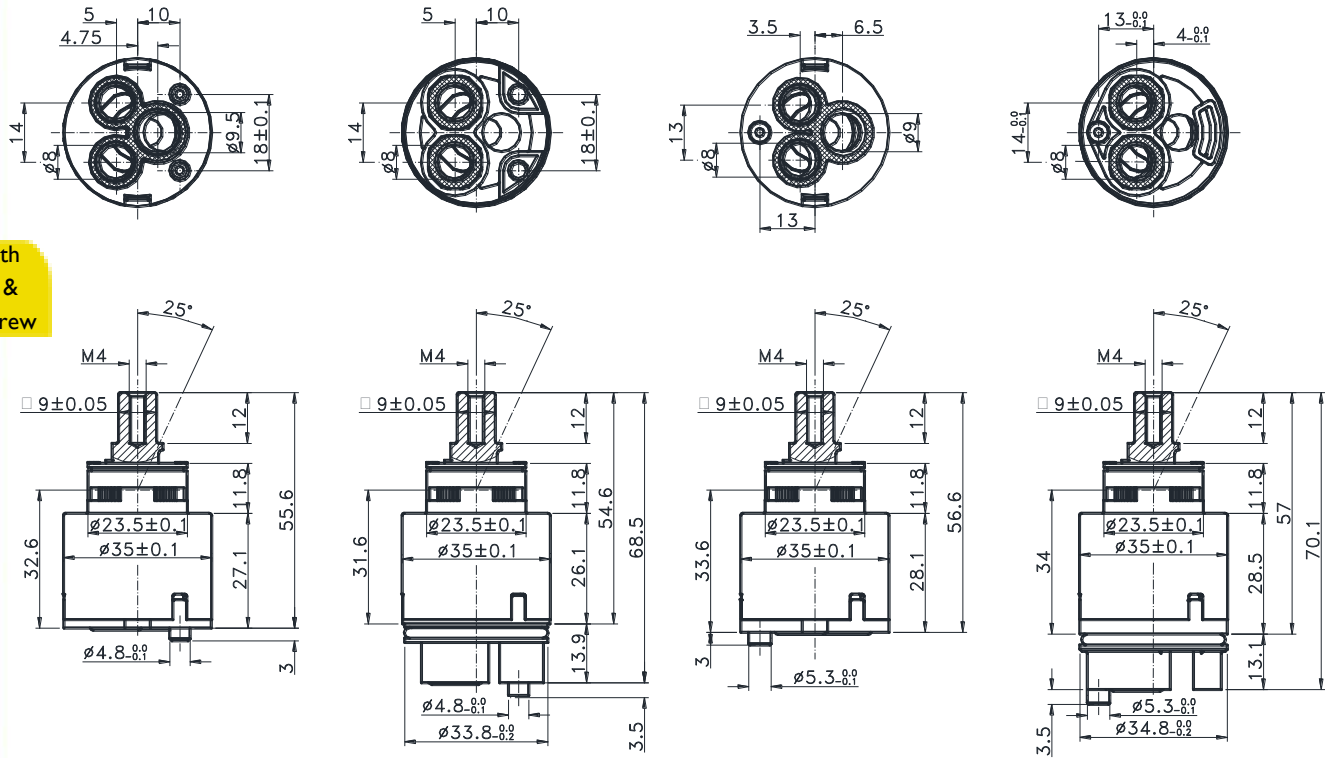


# K-35

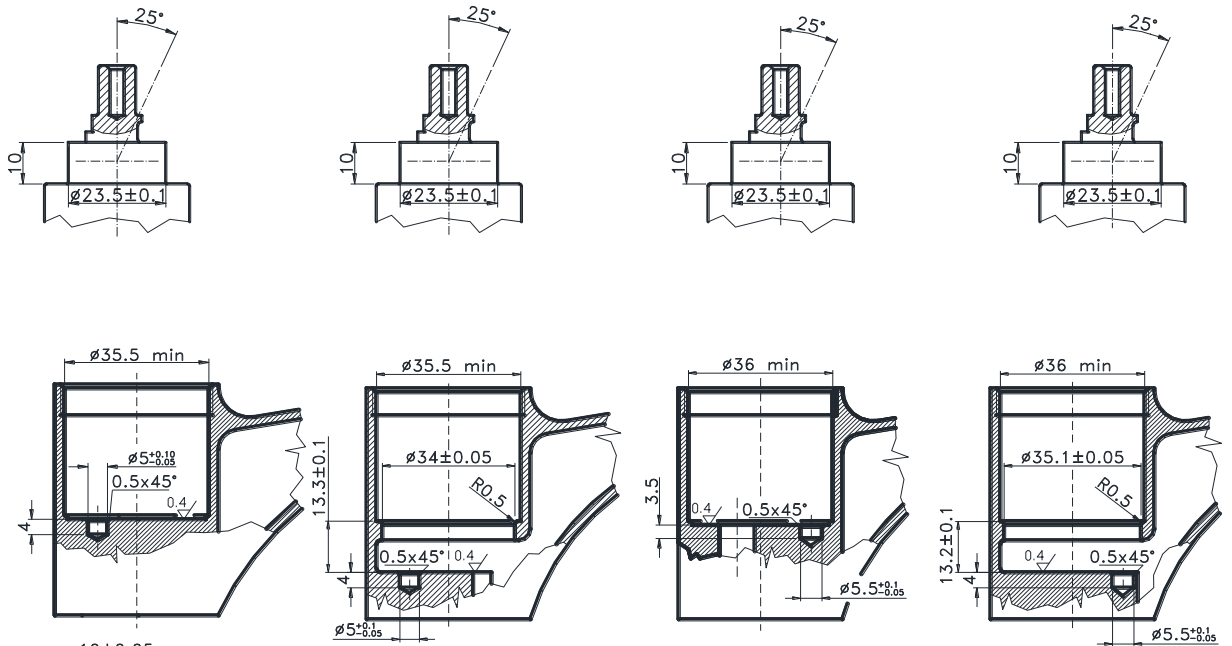
## CARTRIDGES

A • B • C • D

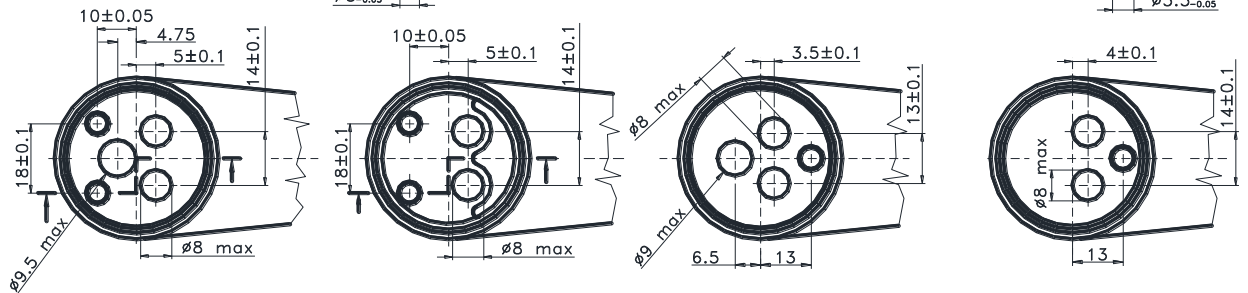
Cartridges with hot limit ring & volume limit screw



Cartridges without hot limit ring & volume limit screw



Faucet



K - 35 A

K - 35 B

K - 35 C

K - 35 D